



SE-2022/08 1000

Hotline: +86 400 109 1122

Fax: +86 573 8911 9916

Website: www.se-audiotechnik.com

INSTALLATION SERIES

固定安装系列

授权的当地代理 Your authorized local dealer:



s))e AUDIOTECHNIK

品牌属于德国斯贝克公司，彩页内容仅供参考，本公司保留更改权利。若有更改，恕不另行通知。
is a brand of Speaker Electronic Co.,Ltd.The company reserves the right to alter the designs
and material specifications of products shown in this publication without notice.

德匠精工 响撼全球



官网二维码



微信二维码



s|||e AUDIOTECHNIK 品牌历史

1980年, Michael von Keitz 先生在德国佐林根成立了 Speaker Trade 公司, 创立了“美高”这一音响品牌, 不久之后, 该品牌就在音响爱好者中获得了极好的口碑。1977年, 在毗邻上海的嘉善成立了子公司——斯贝克电子(嘉善)有限公司, 这在品牌发展历史上具有里程碑意义。凭借先进的德式管理理念和卓越的制造技术, **s|||e AUDIOTECHNIK** 成为紧凑型、无号角、高保真有源线阵列的开创者。融合德国总部专业严谨的工程质量标准, 以及中国团队的高效和勤奋, SE 品牌为专业用户提供了结构紧凑、性能卓越、智能便捷的音响系统, 降低了用户的运营成本, 提升了听觉享受。

s|||e AUDIOTECHNIK Corporate History

In 1980, Michael von Keitz established the company Speaker Trade in Solingen, Germany. It did not take long for the ambitious newcomer to gain an excellent global reputation amongst audio-enthusiasts with his MIVOC brand. 1997 marks the next milestone in our brand history by founding the 100% affiliated company Speaker Electronic in the periphery of Shanghai. Led by German management and using advanced technology, **s|||e AUDIOTECHNIK** has become the pioneer of compact active line array system with hifi sound and hornless design. Combining the professional and rigorous engineering quality standards of the German headquarters with the efficiency and diligence of the Chinese team, SE provides professional users with compact and high-performance audio systems, which reduces the operating cost of users and improves their acoustic experience.

Index:

- 04 | 11 C-LINE
- 06 | 07 C-10
- 08 | 09 C-12 / C-15
- 10 | 11 CV-118BG2 / CV-218BG2
- 12 | 15 COX-LINE
- 14 | 15 COX 8 MKII / COX 12 MKII
- 16 | 29 M-LINE
- 18 | 19 M-62G2 / M-62AG2
- 20 | 21 M-82G2 / M-82AG2
- 22 | 23 M-121A MONG2
- 24 | 25 Accessories and Operation Options
- 26 | 27 MA-LINE
- 28 | 29 MA 2300 / MA 2400 / MA 2600 / MA 2800 / MA 21200

C-LINE工程固定安装系列产品致力于高品质,具有动态大,声压高,频响延伸好等特性,既可用于小型系统扩声应用,又可为大型系统做扩声分区与系统扩声,有充分的可靠性。音箱箱体采用精选多层板与独特的单元做结构优化,箱体表面喷涂了黑色聚脲漆。该系列音箱配置了18个M8吊挂点,完全满足多角度的工程固定安装需求,同时,可旋转号筒能使音箱在横向竖向安装时作完美切换,极大地满足多种使用方式和各种扩声应用场所。

C-LINE is designed for fixed installations. It features high-quality components, a wide dynamic range, high SPL and extended frequency response. It is perfectly reliable for sound reinforcement of small-sized and for zoned sound reinforcement of large-sized speaker systems. The uniquely designed cabinets are made of selected multiplex and have been coated with black polyurea coating. Equipped with 18 pcs of M8 rigging points and a rotatable horn, a flexible switch in both horizontal and vertical direction can be realised to meet the demands of multifunctional and soundreinforcement applications.



The Sound
Experience

C-10

10" two way full range passive loudspeaker

C-LINE工程固定安装系列产品致力于高品质,具有动态大,声压高,频响延伸好等特性,既可用于小型系统扩声应用,又可为大型系统做扩声分区与系统扩声,有充分的可靠性。

音箱箱体采用精选多层板与独特的单元做结构优化箱体表面喷涂了黑色聚脲漆。该系列音箱配置了完整的吊挂架,不仅完美应用于工程固定安装,亦可作为多用途音箱使用,同时,90°×60°可旋转号角能使音箱在横向竖向灵活放置时作完美切换,极大地满足多种使用方式和各种扩声应用场所。

C-LINE engineering fixed-installations featured with high quality, wide dynamic range, high SPL and extended frequency response. It is reliable enough to be not only used for sound reinforcement of small-sized system, but also for zoned sound reinforcement of large-sized system.

The uniquely designed cabinets are made of selected multiplex and coated with black polyurea coating. Equipped with a complete set of fly ware, the series product can be perfectly applied to engineering fixed-installation. Additionally, the 90°×60°rotating horn realizes flexible switch in both horizontal and vertical direction, which helps meet the demands of multi-functional and sound reinforcement



型号名称: C-10

Model: C-10

类型: 10" 无源二分频全频音箱

Type: 10" two way passive full range loudspeaker

频率范围 (-6 dB): 60 Hz - 19 kHz

Frequency response (-6 dB): 60 Hz - 19 kHz

功率 (额定 / 峰值) (AES): 250 W / 1000 W

Power handling (RMS / Peak) (AES) : 250 W / 1000 W

灵敏度 (1 W / 1 m): 95 dB

Sensitivity (1 W / 1m): 95 dB

最大声压级 (1 m): 125 dB

MAX SPL (1 m): 125 dB

阻抗: 8 Ω

Impedance: 8 Ω

指向角度 (水平 × 垂直): 90° × 60°, 号角可以旋转

Dispersion (H × V): 90° × 60°, HF-Horn rotatable

低音单元: 10" 铁氧体单元, 2.5" 音圈

LF Transducer: 10", ferrite magnet, 2.5" voice coil

高音单元: 1" 铁氧体PEN膜压缩单元, 1.75" 音圈

HF Transducer: 1", ferrite, PEN film compression unit, 1.75" voice coil

保护: 高音保护

Protection: Tweeter protection

输入接口: 2 × Neutrik NL-4 pins+1/-1 input/ THRU, pins+2/-2 空接

Input interface: 2 × Neutrik NL-4 pins+1/-1 input/ THRU, pins+2/-2 N.C.

吊挂系统: 14个M8吊挂点, 1 × 5孔飞机条

Rigging system: 14 × M8 rigging point, 1 × 5 cargo tracks

箱体材料 / 喷漆: 15 mm 精选多层板 / 聚脲漆

Cabinet material / Coating: 15 mm selected plywood / Polyurea coating

尺寸 (W × H × D): 332 × 542 × 344 mm

Dimensions (W × H × D): 332 × 542 × 344 mm

净重: 15.5 kg

Net Weight: 15.5 kg

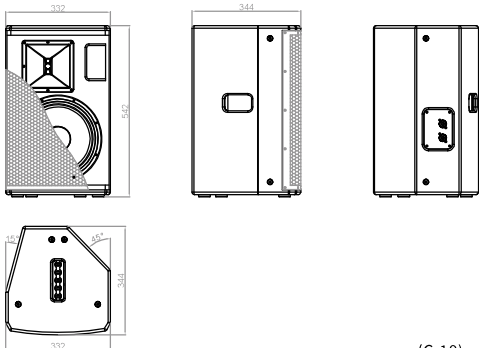
可选附件: 见附件页面

Available accessory: See accessories page

应用领域 Application

- 娱乐会所, 酒吧, 夜场 KTV, Pub, Night club
- 多功能厅 Multifunctional hall
- 会议室, 礼堂 Conference room, Auditorium

结构图 Structural diagram



(C-10)

C-12/ C-15

12"/15" two way full range passive loudspeaker

C-LINE工程固定安装系列产品致力于高品质,具有动态大,声压高,频响延伸好等特性。既可用于小型系统扩声应用,又可为大型系统做扩声分区与系统扩声,有充分的可靠性。

音箱箱体采用精选多层板与独特的单元做结构优化,箱体表面喷涂了黑色聚脲漆。该系列音箱配置了完整的吊挂架,不仅完美应用于工程固定安装,亦可作为多用途音箱使用,同时,90°×60°可旋转号筒能使音箱在横向竖向灵活放置时作完美切换,极大地满足多种使用方式和各种扩声应用场所。

C-LINE engineering fixed-installations featured with high quality, wide dynamic range, high SPL and extended frequency response. It is reliable enough to be not only used for sound reinforcement of small-sized system, but also for zoned sound reinforcement of large-sized system.

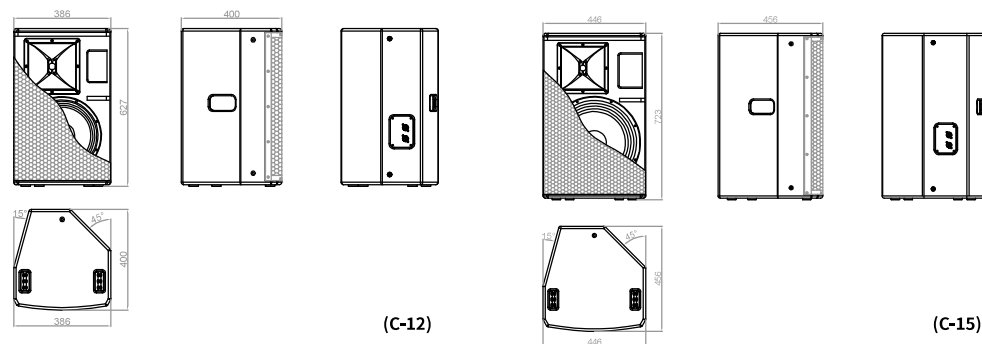
The uniquely designed cabinets are made of selected multiplex and coated with black polyurea coating. Equipped with a complete set of fly ware, the series product can be perfectly applied to engineering fixed-installation. Additionally, the 90°×60°rotating horn realizes flexible switch in both horizontal and vertical direction, which helps meet the demands of multi-functional and sound reinforcement applications.



应用领域 Application

- 娱乐会所, 酒吧, 夜场 KTV, pub, Night club
- 多功能厅 Multifunctional hall
- 会议室, 礼堂 Conference room, Auditorium

结构图 Structural diagram



(C-12)

(C-15)

参数规格 Specifications

型号名称: C-12	Model: C-12
类型: 12"无源二分频全频音箱	Type: 12" two way passive full range loudspeaker
频率范围(-6 dB): 55 Hz - 19 kHz	Frequency response(-6 dB): 55 Hz - 19 kHz
功率(额定/峰值)(AES): 375 W / 1500 W	Power handling (RMS / Peak) (AES): 375 W / 1500 W
灵敏度(1 W / 1 m): 97 dB	Sensitivity (1 W / 1 m): 97 dB
最大声压级(1 m): 129 dB	MAX SPL (1 m): 129 dB
阻抗: 8 Ω	Impedance: 8 Ω
指向角度(水平×垂直): 90°×60°,号角可以旋转	Dispersion (H×V): 90°×60°, HF-Horn rotatable
低音单元: 12"铁氧体单元, 3"音圈	LF Transducer: 12", ferrite magnet, 3" voice coil
高音单元: 1"铁氧体PEN膜压缩单元, 1.75"音圈	HF Transducer: 1", ferrite, PEN film compression unit, 1.75" voice coil
保护: 高音保护	Protection: Tweeter protection
输入接口: 2×Neutrik NL-4 pins+1/-1 input/THRU, pins+2/-2空接	Input interface: 2×Neutrik NL-4 pins+1/-1 input/THRU, pins+2/-2 N.C.
吊挂系统: 12个M8吊挂点, 4×3孔飞机条	Rigging system: 12×M8 rigging point, 4×3 cargo tracks
箱体材料/喷漆: 15mm精选多层板/聚脲漆	Cabinet material / Coating: 15mm selected plywood / Polyurea coating
尺寸(W×H×D): 386×627×400 mm	Dimensions (W×H×D): 386×627×400 mm
净重: 23 kg	Net weight: 23 kg
可选附件: 见附件页面	Available accessory: See accessories page

型号名称: C-15	Model: C-15
类型: 15"无源二分频全频音箱	Type: 15" two way passive full range loudspeaker
频率范围(-6 dB): 45 Hz - 19 kHz	Frequency response(-6 dB): 45 Hz - 19 kHz
功率(额定/峰值)(AES): 450 W / 1800 W	Power handling (RMS / Peak) (AES): 450 W / 1800 W
灵敏度(1 W / 1 m): 98 dB	Sensitivity (1 W / 1 m): 98 dB
最大声压级(1 m): 131 dB	MAX SPL (1 m): 131 dB
阻抗: 8 Ω	Impedance: 8 Ω
指向角度(水平×垂直): 90°×60°,号角可以旋转	Dispersion (H×V): 90°×60°, HF-Horn rotatable
低音单元: 15"铁氧体单元, 3"音圈	LF Transducer: 15", ferrite magnet, 3" voice coil
高音单元: 1"PEN膜压缩单元, 1.75"音圈	HF Transducer: 1", ferrite, PEN film compression unit, 1.75" voice coil
保护: 高音保护	Protection: tweeter protection
输入接口: 2×Neutrik NL-4 pins+1/-1 input/THRU, pins+2/-2空接	Input interface: 2×Neutrik NL-4 pins+1/-1 input/THRU, pins+2/-2 N.C.
吊挂系统: 8个M8吊挂点, 4×3孔飞机条	Rigging system: 8×M8 rigging point, 4×3 cargo tracks
箱体材料/喷漆: 15mm精选多层板/聚脲漆	Cabinet material / Coating: 15 mm selected plywood / Polyurea coating
尺寸(W×H×D): 446×723×456 mm	Dimensions (W×H×D): 446×723×456 mm
净重: 28.5 kg	Net weight: 28.5 kg
可选附件: 见附件页面	Available accessory: See accessories page

CV-118BG2 / CV-218BG2

Single/Dual 18" bandpass/Bass reflex subwoofer

CV-118BG2是单18" 850W带通式超低音箱。
CV-218BG2是双18" 1700W倒相式超低音箱。
两款超低能完美的匹配CV系列和K系列的全频箱。定制开发的大功率18"单元, 配套精选的多层板箱体和高强度钢网, 低频干净扎实而有弹性。

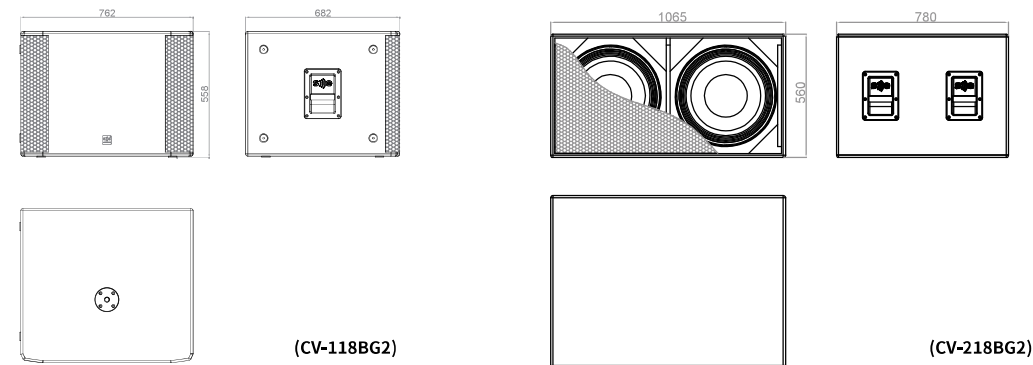
The CV-118BG2 is a single 18" bandpass subwoofer with 850W RMS power handling and a peak SPL of 134 dB.
CV-218BG2 is a dual 18" bass reflex subwoofer with 1700W RMS power handling and a peak SPL of 140 dB.
Each subwoofer can be perfectly blended with full range loudspeakers of both C-, CV- and K-Line. With custom-developed high power 18" transducers, selected plywood cabinets and substantial grilles, they are able to produce clean but powerful bass.



应用领域 Application

- 娱乐会所, 酒吧, 夜场 KTV, pub, Night club
- 多功能厅 Multifunctional hall
- 乐队演出 Band performance

结构图 Structural diagram



参数规格 Specifications

型号名称: CV-118BG2	Model: CV-118BG2
类型: 单18"带通式超低音箱	Type: 18" bandpass subwoofer
频率范围 (-6 dB): 40 Hz - 200 Hz	Frequency response (-6 dB): 40 Hz - 200 Hz
功率 (额定 / 峰值): (IEC) 600 W / 2400 W (AES) 850 W / 3400 W	Power handling (RMS / Peak): (IEC) 600 W / 2400 W (AES) 850 W / 3400 W
灵敏度 (1 W / 1 m): 99 dB	Sensitivity (1 W / 1 m): 99 dB
最大声压级 (1 m): 134 dB	MAX SPL (1 m): 134 dB
阻抗: 8 Ω	Impedance: 8 Ω
低音单元: 18"铁氧体单元, 4"音圈	LF Transducer: 18", ferrite magnet, 4" voice coil
输入接口: 2 × Neutrik NL-4 pins +1 / -1 input / THRU pins +2 / -2 空接	Input interface: 2 × Neutrik NL-4 pins +1 / -1 input / THRU pins +2 / -2 N.C.
箱体材料/喷漆: 18 mm精选多层板/聚脲漆	Cabinet material / Coating: 18 mm selected plywood / Polyurea coating
尺寸 (W × H × D): 762 × 558 × 682 mm	Dimensions (W × H × D): 762 × 558 × 682 mm
净重: 62 kg	Net weight: 62 kg
可选附件: 见附件页面	Available accessory: See accessories page

型号名称: CV-218BG2	Model: CV-218BG2
类型: 双18"倒相式超低音箱	Type: Dual 18" bass reflex subwoofer
频率范围 (6 dB): 35 Hz - 200 Hz	Frequency response (-6dB): 35 Hz - 200 Hz
功率 (额定 / 峰值): (IEC) 1200 W / 4800 W (AES) 1700 W / 6800 W	Power handling (RMS/Peak): (IEC) 1200 W / 4800 W (AES) 1700 W / 6800 W
灵敏度 (1 W / 1 m): 102 dB	Sensitivity (1 W / 1 m): 102 dB
最大声压级 (1 m): 140 dB	MAX SPL (1 m): 140 dB
阻抗: 4 Ω	Impedance: 4 Ω
低音单元: 2 × 18"铁氧体单元, 4"音圈	LF Transducer: 2 × 18", ferrite magnet, 4" voice coil
输入接口: 2 × Neutrik NL-4 pins +1 / -1 input / THRU pins +2 / -2 空接	Input interface: 2 × Neutrik NL-4 pins +1 / -1 input / THRU pins +2 / -2 N.C.
箱体材料/喷漆: 18 mm精选多层板/聚脲漆	Cabinet material / Coating: 18 mm selected plywood / Polyurea coating
尺寸 (W × H × D): 1065 × 560 × 780 mm	Dimensions (W × H × D): 1065 × 560 × 780 mm
净重: 90 kg	Net weight: 90 kg



COX -LINE

COX-LINE同轴音箱采用同芯同磁结构;在声音上有着极好的清晰度,结构非常紧凑,体积小,声压大,造型美,配置吊挂架可以满足产品的垂直和水平安装;对于室内扩声,中小型场所的补声,会议室扩声有着广泛的使用范围。

With the coaxial and co-magnetic structure, the 8" / 12" coaxial loudspeaker can produce sound with an excellent articulation. It is characterized by compact configuration, small size, high SPL and appealing design. The mounting bracket is used for both horizontal and vertical installation. It has been widely used in medium and small-scale venues for indoor sound reinforcement.



The Sound
Experience

COX 8 MKII / COX 12 MKII

8" / 12" Coaxial two way passive full range loudspeaker

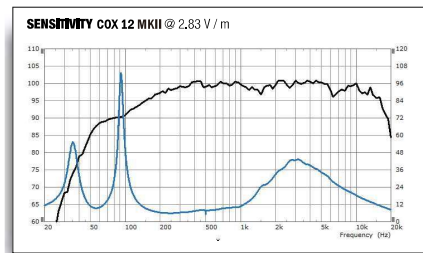
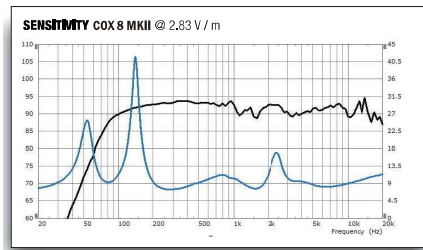
8" / 12"同轴音箱采用同心同磁结构;在声音上有着极好的清晰度,结构非常紧凑,体积小,声压大,造型美,配置吊挂架可以满足产品的垂直和水平安装;对于室内扩声,中小型场所的补声,会议室扩声有着广泛的使用范围。

With the coaxial and co-magnetic structure, the 8" / 12" coaxial loudspeaker can produce sound with an excellent articulation. It is characterized by compact configuration, small size, high SPL and appealing design. The mounting bracket is used for both horizontal and vertical installation. It has been widely used in medium and small-scale venue for indoor sound reinforcement.

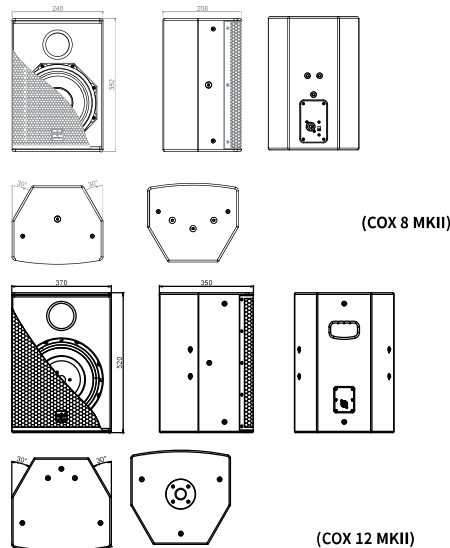
应用领域 Application

- 会议室
- 多功能厅,小型扩声
- Conference room
- Multifunctional hall, Small-scale sound reinforcement

曲线图 Graph



结构图 Structural diagram



参数规格 Specification

型号名称 : COX 8 MKII	Model: COX 8 MKII
类型: 8"无源同轴二分频全频音箱	Type: 8" coaxial two way passive full range loudspeaker
频率范围 (-6 dB): 80Hz - 20 kHz, 带高频-3 dB衰减选择开关	Frequency response (-6 dB): 80 Hz - 20 kHz, with -3 dB high-frequency attenuation switch
功率(额定/峰值): (IEC)180 W / 720 W (AES) 250 W / 1000 W	Power handling (RMS. / Peak): (IEC) 180 W / 720 W (AES) 250 W / 1000 W
灵敏度 (1 W / 1 m): 95 dB	Sensitivity (1 W / 1 m): 95 dB
最大声压级 (1 m): 125 dB	MAX SPL (1 m): 125 dB
阻抗: 8 Ω	Impedance: 8 Ω
指向角度(水平 × 垂直): 90° × 90°	Dispersion (H × V): 90° × 90°
低音单元: 8"铁氧体单元, 2"音圈	LF Unit: 8" ferrite magnet, 2" voice coil
高音单元: 1.75"铁氧体PEN压缩同轴单元	HF Unit: 1.75" ferrite PEN film compression unit
保护: 高音保护	Protection: Tweeter protection
输入接口: 1 × Neutrik NL-4 pins +1 / -1 input pins +2 / -2 THRU	Input interface: 1 × Neutrik NL-4 pins +1 / -1 input pins +2 / -2 THRU
吊挂系统: 8个M5吊挂点, 3个M6吊挂点, 6个M8吊挂点	Rigging system: 8 × M5 rigging point, 3 × M6 rigging point, 6 × M8 rigging point
箱体材料/喷漆: 12 mm多层板 / 聚脲漆	Cabinet material / Coating: 12 mm selected plywood / Polyurea coating
尺寸(W × H × D): 240 × 352 × 208 mm	Dimensions (W × H × D): 240 × 352 × 208 mm
净重: 7.8 kg	Net weight: 7.8 kg
可选附件: 见附件页面	Available accessory: See accessories page

型号名称 : COX 12 MKII	Model: COX 12 MKII
类型: 12"无源同轴二分频全频音箱	Type: 12" coaxial two way passive full range loudspeaker
频率响应范围(±3dB): 175 Hz - 15 kHz	Frequency response (±3 dB): 175 Hz - 15 kHz
频率响应范围(-10dB): 65 Hz - 19 kHz	Frequency response (-10 dB): 65 Hz - 19 kHz
覆盖范围(-6dB) [H x V]: 50° x 45°	Coverage (-6 dB) [H x V]: 50° x 45°
标称阻抗: LF: 8 Ω HF: 16 Ω	Nominal impedance: LF: 8 Ω HF: 16 Ω
灵敏度 ¹ : 98 dB	Sensitivity ¹ : 98 dB
峰值功率: 1600 W	Peak power: 1600 W
持续功率 ² : 400 W	Continuous power ² : 400 W
峰值声压级: 136 dB	Maximum Peak SPL ¹ : 136 dB
系统类型: 两分频同轴系统	System type: 2-way coaxial system
分频类型: 声学优化的被动分频	Crossover type: Acoustically optimized passive crossover
分频频点: 1.3 kHz	Crossover frequency: 1.3 kHz
换能单元: 同轴单元: 低音: 1 x 12"单元, 高音: 1.75"压缩单元	Transducers: Coaxial driver with: LF: 1 x 12" driver HF: 1.75" compression driver
箱体类型: 倒相式	Enclosure type: Vented box
连接: 信号输入: Neutrik speakON® NL4	Connectors: Input signal: Neutrik speakON® NL4
线序: Pins 1+ / 1-: 单元 Pins 2+ / 2-: 连接 (Thru)	Wiring: Pins 1+ / 1-: driver Pins 2+ / 2-: Thru
产品尺寸 [H x W x D] (包含吊挂配件): 520 x 370 x 350 mm	Product dimensions [H x W x D] (Including rigging): 520 x 370 x 350 mm
净重/毛重 19.5 kg/22 kg	Weight/Total weight: 19.5 kg/22 kg
包装尺寸 [H x W x D]: 633 x 470 x 450 mm	Packaging dimensions [H x W x D]: 633 x 470 x 450 mm
箱体材料: 15 mm 精选多层板	Cabinet: 15 mm plywood
箱体喷漆: 黑色或白色聚脲喷漆	Cabinet finishing: Black or white polyurea coating
网罩: 喷户外级塑料	Grille: Powder coated perforated steel
硬件: -1x背部嵌入式挖手 -1x36mm底部垂直支撑	Hardware: -1 rear handle embedded in cabinet -1 x bottom 36 mm socket for pole mounting
吊挂: -20x M8螺纹吊挂点	Rigging: -20xM8 fly point
支撑杆: Gravity® GSP2332 B 支撑杆	Pole support: Gravity® GSP2332 B Pole support

¹ 0dB, 1m / 1m, MC
² 根据IEC 60268-15 (SPL)标准
³ Max peak SPL = 150 + 10log(1000/Continuous Power) + 120dB Crest factor

¹ 0dB, 1m, 1m, MC
² According to IEC 60268-15 (SPL) standard
³ Max peak SPL = 150 + 10log(1000/Continuous Power) + 120dB Crest factor



M -LINE

M-会议系列是一个多功能系列，涵盖了多规格小型固定安装，有源同轴舞台监听，有源紧凑2.1PA系统和MA 2000系列功放。M-Meeting的特点是产品有较高的性价比，较多的型号自带功放，因此具有较好的使用便利性。

M-Meeting is a multi-functional series including several models of small sized fixed-installation systems, active coaxial stage monitoring systems, active compact 2.1 PA systems and MA 2000 amplifier series. This line offers a higher performance to price ratio and more models with built-in amplifiers, which makes daily application even more convenient.



The Sound Experience

M-62G2 / M-62AG2

6" Two way passive installation loudspeaker (vented)

M-62G2工程安装系列是专门针对中小型场所扩声设计的全频音箱,如咖啡厅,餐厅,专卖店和家庭录音等场所,产品设计独具魅力,箱体采用了坚固的中纤板及黑色聚脲漆;

M-62AG2 是完美的有源监听设备,适用于多种应用范围,箱体内置50W功放并含有自动省电模式,若3分钟内无信号输入则自动进入待机状态。

M-62G2 is ideally used either as a full-range speaker for smaller installations, cafes, bistros, fashion shops. The attractive design features a sturdy MDF housing with black polyurea coating. Optimal installation is ensured by the included Smart-Mounting-Bracket.

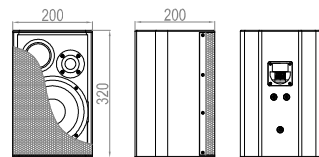
M-62AG2 is the ideal active monitor for many applications. The 50W RMS powered cabinet has a built-in "Auto Power Mode" which automatically switches the system into standby mode after 3 minutes without incoming signal.



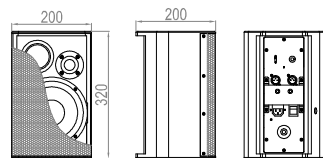
应用领域 Application

- 咖啡厅 Cafes
- 小餐馆 Bistros
- 小型会议 Small-scale meeting
- 时装店 Fashion shop

结构图 Structural diagram



(M-62G2)



(M-62AG2)

参数规格 Specification

型号名称:	M-62G2	M-62AG2
类型:	6" 无源二分频音箱(倒相式)	6" 有源二分频音箱(倒相式)
频率范围(-6 dB):	55 Hz - 20 kHz	55 Hz - 20 kHz
功率(额定/峰值) (AES):	80 W / 130 W	50 W
灵敏度(1 W / 1 m):	87 dB	N / A
最大声压级(1 m):	108 dB	107 dB
阻抗:	16 Ω	N / A
指向角度 (H × V):	60° × 60°	60° × 60°
低音单元:	6" 铁氧体单元, 1" 音圈	6" 铁氧体单元, 1" 音圈
高音单元:	钕磁丝膜单元, 1" 音圈	钕磁丝膜单元, 1" 音圈
输入 / 输出接口:	夹式连接	输入: XLR / 6.3 mm jack, 输出: XLR
吊挂系统:	3个M6吊挂点	3个M6吊挂点
箱体材料 / 喷漆:	12 mm MDF / 聚脲漆	12 mm MDF / 聚脲漆
尺寸(W × H × D):	200 × 320 × 200 mm	200 × 320 × 200 mm
净重:	4.5 kg	5.5 kg
可选附件:	见附件页面	见附件页面

Model:	M-62G2	M-62AG2
Type:	6" two way passive loudspeaker (vented)	6" two way active loudspeaker (vented)
Frequency response (-6 dB):	55 Hz - 20 kHz	55 Hz - 20 kHz
Power output (RMS / Peak) (AES):	80 W / 130 W	50 W
Sensitivity (1 W / 1 m):	87 dB	N / A
MAX SPL (1 m):	108 dB	107 dB
Impedance:	16 Ω	N / A
Dispersion (H × V):	60° × 60°	60° × 60°
LF Transducer:	6", ferrite magnet, 1" voice coil	6", ferrite magnet, 1" voice coil
HF Transducer:	Neodymium magnet, 1" voice coil	Neodymium magnet, 1" voice coil
Input interface:	Clamp connection	Input: XLR / 6.3 mm jack, Output: XLR
Rigging system:	3 × M6 rigging points	3 × M6 rigging points
Cabinet material / Coating:	12 mm MDF / Polyurea coating	12 mm MDF / Polyurea coating
Dimensions (W × H × D):	200 × 320 × 200 mm	200 × 320 × 200 mm
Net weight:	4.5 kg	5.5 kg
Available accessory:	See accessories page	See accessories page

M-82G2 / M-82AG2

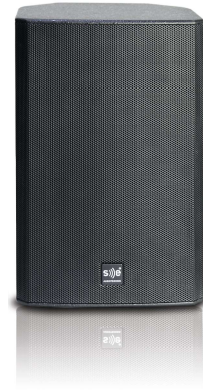
8" Two way active installation loudspeaker (vented)

M-82G2延续了M系列熟悉的紧凑型设计,能与M-62G2系列配合使用,产品设计独具魅力,箱体采用了坚固的中纤板及黑色聚脲漆; M-82G2是极佳的全频音箱,深沉得低音,宽广的频响,使得音质得到精准的再现,可作为一款阻抗8Ω的无源音箱独立使用。

M-82AG2是一款集成80W A / B类功放有源音箱。智能化的SMB铝支架确保八寸系列的最佳的安装灵活性及角度可调性。

M-82G2 is a multi-purpose installation loudspeaker and the most powerful one in our M-Line installation speaker range. Its attractive design features a sturdy MDF housing and black polyurea coating. On the performance side, this is an excellent full range system that covers a large frequency range and also impresses with a deep bass fundament.

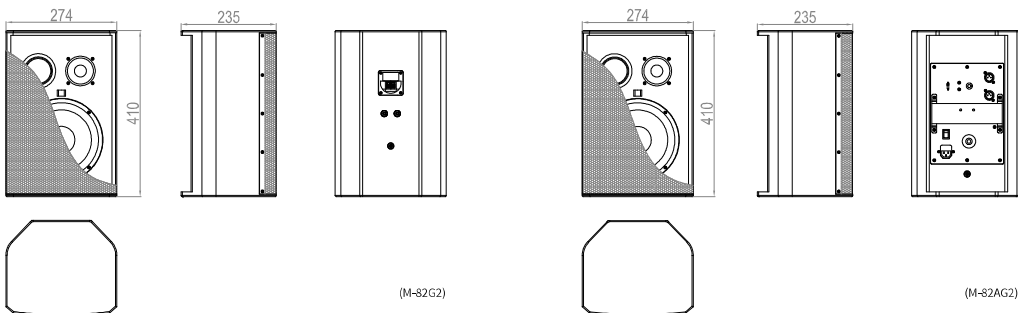
The active version M-82A(W)G2 offers the same acoustical performance and is powered by an integrated 80W Class A/B amplification module. SMB (Smart-Mounting-Bracket).



应用领域 Application

- 咖啡厅 Cafes
- 小餐馆 Bistros
- 小型会议 Small-scale meeting
- 时装店 Fashion shop

结构图 Structural diagram



参数规格 Specification

型号名称: M-82G2	Model: M-82G2
类型: 8"无源二分频音箱(倒相式)	Type: 8" two way passive loudspeaker (vented)
频率范围(-6 dB): 50 Hz - 20 kHz	Frequency response (-6 dB) : 50 Hz - 20 kHz
功率(额定 / 峰值) (AES): 120 W / 200 W	Power output (RMS / Peak) (AES) : 120 W / 200 W
灵敏度(1 W / 1 m): 93 dB	Sensitivity (1 W / 1 m) : 93 dB
最大声压级(1 m): 114 dB	MAX SPL (1 m) : 114 dB
阻抗: 8 Ω	Impedance: 8 Ω
指向角度 (H × V): 60° × 60°	Dispersion (H × V) : 60° × 60°
低音单元: 8"铁氧体单元, 1.5"音圈	LF Transducer: 8", ferrite magnet, 1.5" voice coil
高音单元: 钹磁丝膜单元, 1"音圈	HF Transducer: Neodymium magnet, 1" voice coil
输入 / 输出接口: 夹式连接	Input Interface: Clamp Connection
吊挂系统: 3个M6吊挂点	Rigging System: 3 × M6 rigging points
箱体材料 / 喷漆: 12 mm MDF / 聚脲漆	Cabinet Material / Coating: 12 mm MDF / Polyurea coating
尺寸(W × H × D): 274 × 410 × 235 mm	Dimensions (W × H × D) : 274 × 410 × 235 mm
净重: 7.0 kg	Net Weight: 7.0 kg
可选附件: 见附件页面	Available Accessory: See accessories page

型号名称: M-82AG2	Model: M-82AG2
类型: 8"有源二分频音箱(倒相式)	Type: 8" two way active loudspeaker (vented)
频率范围(-6 dB): 50 Hz - 20 kHz	Frequency response (-6 dB) : 50 Hz - 20 kHz
功率(额定 / 峰值) (AES): 80 W	Power output (RMS / Peak) (AES) : 80 W
灵敏度(1 W / 1 m): 93 dB	Sensitivity (1 W / 1 m) : 93 dB
最大声压级(1 m): 114 dB	MAX SPL (1 m) : 114 dB
阻抗: 4 Ω	Impedance: 4 Ω
指向角度 (H × V): 60° × 60°	Dispersion (H × V) : 60° × 60°
低音单元: 8"铁氧体单元, 1.5"音圈	LF Transducer: 8", ferrite magnet, 1.5" voice coil
高音单元: 钹磁丝膜单元, 1"音圈	HF Transducer: Neodymium magnet, 1" voice coil
输入 / 输出接口: 输入: XLR / 6.3 mm jack, 输出: XLR	Input interface: Input: XLR / 6.3 mm jack, Output: XLR
吊挂系统: 3个M6吊挂点	Rigging system: 3 × M6 rigging points
箱体材料 / 喷漆: 12 mm MDF / 聚脲漆	Cabinet material / Coating: 12 mm MDF / Polyurea coating
尺寸(W × H × D): 274 × 410 × 235 mm	Dimensions (W × H × D) : 274 × 410 × 235 mm
净重: 9.7 kg	Net weight: 9.7 kg
可选附件: 见附件页面	Available accessory: See accessories page

M-121A MONG2

12" two way co-axial active stage monitor

M-121A MONG2是一款高品质的有源同轴舞台监听音箱，配合高质量功放，提供了精准的乐器及各种声音再现还原。

Volex电源系统使得监听系统的连接更为安全，也使得一套大的舞台监听系统只用一个电源的安装方式成为可能。该监听系统还具有软削波限制以及音量控制功能。箱体由高品质多层板及黑色聚脲漆，箱体监听角度是35°。

The M-121A MONG2 features a high end 12" co-axial speaker with a compression driver and offers precise sound reproduction of various instruments.

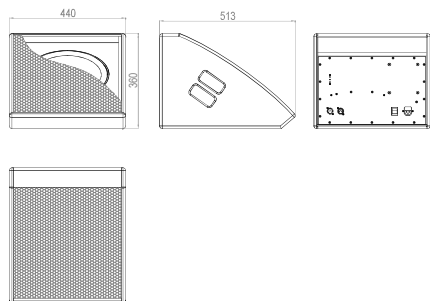
The Volex power supply system allows a secure connection of further active monitors. This feature enables the installation of a big active stage monitor system while using only one power plug. The monitors also come with a soft-clip-limiter as well as a volume control. The housing is made out of high-quality plywood and black polyurea coating. The monitor angle is 35°.



应用领域 Application

- 流动演出 Touring performance
- 小型扩声 Small amplification

结构图 Structural diagram



(Se M-121A G2)

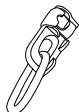
参数规格 Specification

型号名称:	M-121A MONG2	M-121A MONG2-P	M-121A MONG2	M-121A MONG2-P
类型:	12" 有源二分频同轴舞台监听	12" 有源二分频同轴舞台监听	12" Two Way Co-axial Active Stage Monitor	12" Two Way Co-axial Active Stage Monitor
频率范围(-6 dB):	80 Hz - 20 kHz	80 Hz - 20 kHz	80 Hz - 20 kHz	80 Hz - 20 kHz
功率(RMS):	250 W	250 W	250 W	250 W
灵敏度(1 W / 1 M):	100 dB	100 dB	100 dB	100 dB
最大声压级(1 M):	124 dB	124 dB	124 dB	124 dB
阻抗:	4 Ω	4 Ω	4 Ω	4 Ω
指向角度(水平 Tx 垂直):	75° × 75°	75° × 75°	75° × 75°	75° × 75°
低音单元:	12"铁氧体单元, 2.4"音圈	12"铁氧体单元, 2.4"音圈	12" ferrite magnet, 2.4" voice coil	12" ferrite magnet, 2.4" voice coil
高音单元:	1"铁氧体耐高温聚酯膜压缩单元, 1.35" 音圈	1"铁氧体耐高温聚酯膜压缩单元, 1.35" 音圈	1" Exit, Ferrite, polyester film compression unit, 1.35" voice coil	1" Exit, Ferrite, polyester film compression unit, 1.35" voice coil
分频点:	1.8 KHz	1.8 KHz	1.8 kHz	1.8 kHz
保护:	限幅器, 短路	限幅器, 短路	Limiter, Short circuit	Limiter, Short circuit
输入接口/输出接口:	输入: XLR / 6.3 mm jack (组合), 输出: XLR	输入: XLR / 6.3 mm jack (组合), 输出: XLR	Input: XLR / 6.3 mm jack (combo) Output: XLR	Input: XLR / 6.3 mm jack (combo) Output: XLR
箱体材料/喷漆:	15mm精选多层板 / 聚脲漆	15mm精选多层板 / 聚脲漆	15 mm selected plywood Polyurea coating	15 mm selected plywood Polyurea coating
尺寸(W × H × D):	440 × 360 × 513 mm	440 × 360 × 513 mm	440 × 360 × 513 mm	440 × 360 × 513 mm
净重:	17.8 Kg	17.8 Kg	17.8 kg	17.8 kg

配件说明 Accessories



EB-830
M8 x 30 羊眼圈
M8 x 30 Eye Bolt



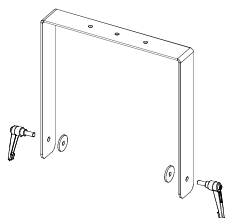
TK-200
双点吊环
Double stud fitting



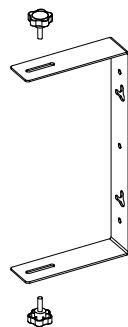
TK-100
单点吊环
Double stud fitting



GSP2342 B
支撑杆
Gravity® Pole support

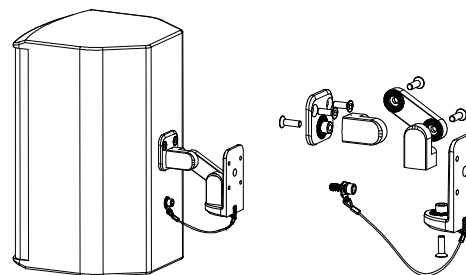


COX 8
COX 8 SB
COX 8 SB



COX 8WB
COX 8 壁挂支架
COX 8 Wall Bracket

使用说明 Operation Options



SMB
62G2 / 82G2, COX 8 MKII 铝支架
62G2 / 82G2,
COX 8 MKII Smart-Mounting-Bracket



MA -LINE

MA 2000 系列功率放大器, 采用德国技术, 完善的DDT压缩保护系统, 双温度控制过热保护功能; 带软启动开关启动瞬变保护, 静音开关保护, 在开启时过热, 直流, 短路, 功率过载保护。该系列功放在外观设计, 内部结构, 电路设计, 表现力等方面经过多次优化, 音色分析力及表现力均十分出众, 是一款集户内外演出全方位应用的大功率, 多功能, 高质量, 稳定性, 可靠性于一体的AB类专业功率放大器。

MA-2000 series power amplifiers are equipped with DDT compression and double overheating protection system by adopting German technology. Each amplifier comes with a mute switch protection and also a startup protection for overheating/DC/short circuit/overloading. The internal structure and circuit design have been optimized to provide extraordinary signal quality. Being multifunctional high-power amplifiers that can output high quality signals on a steady and reliable basis, the



The Sound
Experience

MA 2000

Dual-channel pro power amplifier

MA 2000系列功率放大器,采用德国技术,完善的DDT压缩保护系统,双温度控制过热保护功能;带软启动开关启动瞬变保护,静音开关保护,在开启时过热,直流,短路,功率过载保护。该系列功放放在外观设计,内部结构,电路设计,表现力等方面经过多次优化,音色分析及表现力均十分出众,是一款集户内外演出全方位应用的大功率,多功能,高质量,稳定性,可靠性于一体的AB类专业功率放大器。

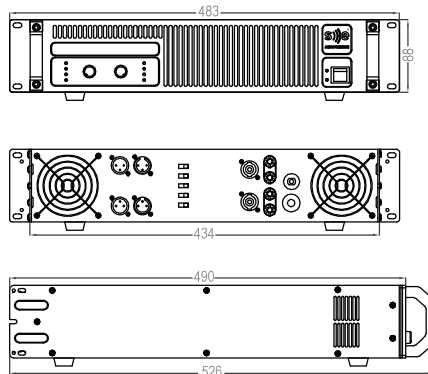
MA-2000 series power amplifiers are equipped with DDT compression and double overheating protection system by adopting German technology. Each amplifier comes with a mute switch protection and also a startup protection for overheating/DC/short circuit/overloading. The internal structure and circuit design have been optimized to provide extraordinary signal quality. Being multifunctional high-power amplifiers that can output high-quality signals on a steady and reliable basis, the MA-2000 series can be regarded as class AB pro power amplifiers.

应用领域 Application

- 娱乐会所 KTV
- 会议室 Conference room
- 多功能厅 Multifunctional hall



结构图 Structural diagram



参数规格 Specification

型号名称:	MA 2300	MA 2400	MA 2600	MA 2800	MA 21200
功放类型:	Class AB	Class AB	Class H	Class H	Class H
输出功率1 kHz, < 0.05%THD:					
8 Ω:	2x 300 W	2x 400 W	2x 600 W	2x 800 W	2 x 1200W
4 Ω:	2x 450 W	2x 600 W	2x 900 W	2x 1200 W	2 x 1800W
2 Ω:	--	2x 800 W	2x 1100 W	2x 1400 W	2 x 2400W
16 Ω桥接:	--	--	--	--	2400W
8 Ω桥接:	700 W	1000 W	1800 W	2000 W	3600W
4 Ω桥接:	--	1200 W	2000 W	2400 W	4800W
频率范围(功率带宽+/- 0.1 dB):	20 Hz-20 kHz	20 Hz-20 kHz	20 Hz-20 kHz	20 Hz-20 kHz	20Hz-20 kHz
相位响应(@ 1W20 Hz - 20 kHz):	+ 15度	+ 15度	+ 15度	+ 15度	+ 15度
总谐波失真1 kHz(20 Hz - 20 kHz):	≤ 0.05%	≤ 0.05%	≤ 0.05%	≤ 0.05%	≤ 0.03%
互调失真 (SMPTE):	≤ 0.05%	≤ 0.05%	≤ 0.05%	≤ 0.05%	≤ 0.01%
阻尼系数(20 Hz - 500 Hz@ 8 Ω):	400:1	450:1	500:1	550:1	650:1
串扰(20 Hz - 20 kHz):	>75 dB	>75 dB	>75 dB	>75 dB	>75 dB
增益 (可选):	26 / 29 / 32 dB	26 / 29 / 32 dB	26 / 29 / 32 dB	26 / 29 / 32 dB	26 / 29 / 32 dB
灵敏度:	0.775 / 1.0 / 1.55 V	0.775 / 1.0 / 1.55 V	0.775 / 1.0 / 1.55 V	0.775 / 1.0 / 1.55 V	0.775 / 1.0 / 1.44 V
信噪比:	103 dB	105 dB	105 dB	106 dB	106 dB
尺寸 (W x H x D):	483 x 88 x 420 mm	483 x 88 x 420 mm	483 x 88 x 490 mm	483 x 88 x 490 mm	483 x 133 x 500 mm
重量 (kg):	17 kg	18 kg	23 kg	25 kg	40 kg

Model name:	MA 2300	MA 2400	MA 2600	MA 2800	MA 21200
Amplifier type:	Class AB	Class AB	Class H	Class H	Class H
Output power 1 kHz, < 0.05%THD:					
8 Ω:	2x 300 W	2x 400 W	2x 600 W	2x 800 W	2x 1200 W
4 Ω:	2x 450 W	2x 600 W	2x 900 W	2x 1200 W	2x 1800 W
2 Ω:	Inapplicable	2x 800 W	2x 1100 W	2x 1400 W	2x 2400 W
16 Ωbridge:	Inapplicable	Inapplicable	Inapplicable	Inapplicable	2400 W
8 Ωbridge:	700 W	1000 W	1800 W	2000 W	3600 W
4 Ωbridge:	Inapplicable	1200 W	2000 W	2400 W	4800 W
Frequency response(+/- 0.1dB):	20 Hz-20 kHz	20 Hz-20 kHz	20 Hz-20 kHz	20 Hz-20 kHz	20 Hz-20 kHz
Reflex response(@ 1W20 Hz-20 kHz):	+ 15°	+ 15°	+ 15°	+ 15°	+ 15°
THD 1 kHz(20 Hz-20 kHz):	≤ 0.05%	≤ 0.05%	≤ 0.05%	≤ 0.05%	≤ 0.03%
IMD (SMPTE):	≤ 0.05%	≤ 0.05%	≤ 0.05%	≤ 0.05%	≤ 0.01%
Damping factor(20 Hz-500 Hz@ 8 Ω):	400:1	450:1	500:1	550:1	650:1
Crosstalk(20 Hz-20 kHz):	>75 dB	>75 dB	>75 dB	>75 dB	>75 dB
Gain (optional):	26 / 29 / 32 dB	26 / 29 / 32 dB	26 / 29 / 32 dB	26 / 29 / 32 dB	26 / 29 / 32 dB
Sensitivity:	0.775 / 1.0 / 1.55 V	0.775 / 1.0 / 1.55 V	0.775 / 1.0 / 1.55 V	0.775 / 1.0 / 1.55 V	0.775 / 1.0 / 1.44 V
Signal to noise ratio:	103 dB	105 dB	105 dB	106 dB	106 dB
Dimensions (W x H x D):	483 x 88 x 420 mm	483 x 88 x 420 mm	483 x 88 x 490 mm	483 x 88 x 490 mm	483 x 133 x 500 mm
Net weight (kg):	17 kg	18 kg	23 kg	25 kg	40 kg